

# 19" Resistive Touch Monitor

FT19TM



- HDMI, DP & VGA video connectors
- USB touch support
- 5-Wire Resistive touch technology
- Power supply & plastic desktop stand included
- VESA 100 mounting holes on the back
- Integrated audio speakers (2x2w)
- 2 year guarantee (24/7 operation)



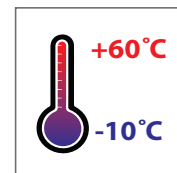
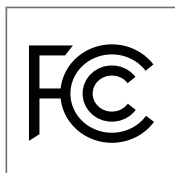
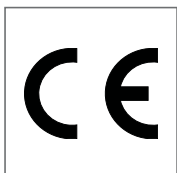
faytech's Resistive Touch Monitors make your working process easier and more efficient. These monitors are packed with features and connectors that make them perfect for any industrial or commercial application.

Each monitor is produced using an industrial LCD panel with back lighting (20,000 – 30,000 hour lifespan), 4- or 5-wire resistive touch and anti-glare coating to enhance the user's experience. All these devices are wall mountable or can be stationed anywhere with the high-quality stand.

- The 15-19" Monitors have HDMI, DP and VGA connectors.

This product line is the perfect choice for a wide variety of applications including use in POS systems, as control panels in the industrial area, in kiosk systems, for machine control, in the office and in many other fields.

Legend / Notes	
Applicable to version 1	(v1)
Applicable to version 2	(v2)
Applicable to all Versions	None



<b>Product name</b>				<b>19" Resistive Touch Monitor</b>			
<b>Article code / EAN number</b>				<b>FT19TM / 6920734019113</b>			
Global Article Code	European Article Code	Release date (D/M/Y)	Version*	Global Article Code	European Article Code	Release date (D/M/Y)	Version*
20205005952	1010500356	01/12/2015	v1				
3030508843	1010502250	01/12/2021	v2				

<b>IP Rating</b>	
IP40	

<b>LCD Panel</b>	
Screen diagonal (Inch/cm)	19/48.26
Display active screen size (cm)	41.22×25.91
Aspect ratio	16:10
Physical resolution	1440×900
Maximum showable resolution	1920×1200
Colours displayed	16.7M
Brightness (cd/m <sup>2</sup> )	250
Contrast	1000:1
Typical reaction time Tr/ Tf (ms)	1.5/3.5
Visual Angle horizontal/vertical (°)	170/160
Backlight / Backlight Lifetime (hours)	LED / 30,000

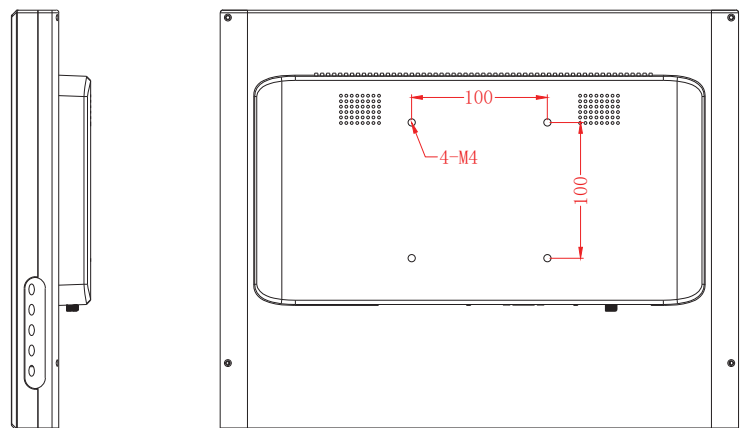
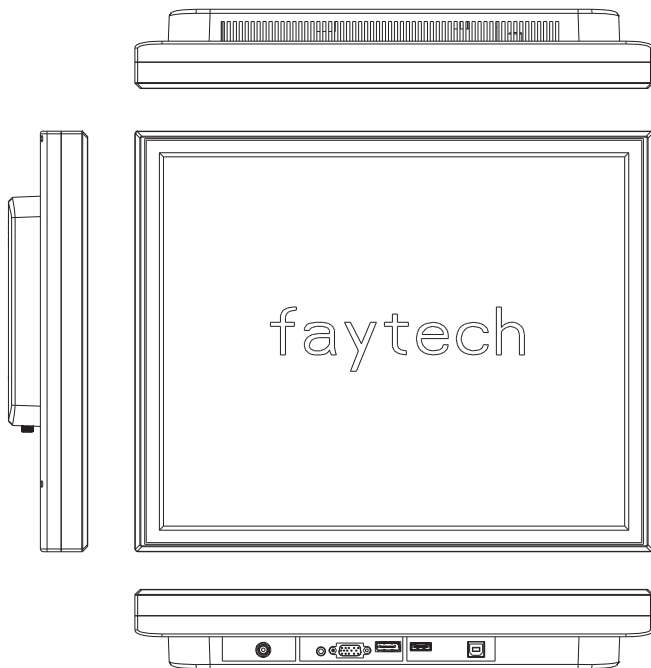
<b>External Connectors</b>	
Video	1x HDMI 1.3 (incl. HDCP)
	1x DP <sup>(v2)</sup>
	1x VGA
	1x DVI-D <sup>(v1)</sup>
Audio	1x PC-Audio
Touch Connector	1x USB
	1x Serial <sup>(v1)</sup>
Connectors	1x 12V DC-In (screwable)

<b>Touch Panel</b>	
Touch Technology	5-Wire Resistive
Touch Panel Drivers	Windows; Linux; Mac; Android
Touch Life (Contacts)	10 million touch in 1 location
Surface Hardness	3H
Surface Treatment	Anti-glare
Glass Strengthening	N/A

<b>Operation / Mechanical</b>	
Operating Temperature (°C)	-10 ~ +60
Humidity Range (RH)	10% - 90%
Net weight (kg)	4.98
Gross weight (kg)	6.60 (incl. cartonage)
Housing material	Plastic ABS case
Housing (mm) L × W × H	448.0 × 290.0 × 53.0
Cut-out for clamp supports (mm) L × H	N/A
Max. wall thickness for clamp supports (mm)	N/A
Amount of clamps required	N/A
Mounting	VESA 100

<b>Power</b>	
Power Indicator	Green LED
Power Supply	100-240V ACDC active switching; 12V DC-Out
Working Power (V)	12
Power Consumption (W)	20
Stand-By Consumption (W)	<1

<b>Included in the Delivery</b>	
Power Supply (see Power section)	
Short Installation Manual	
Cables - VGA, USB Touch, Audio Cable	
Stylus	
Plastic ABS Stand	



Tolerance: ± 1mm

## Update Notes:

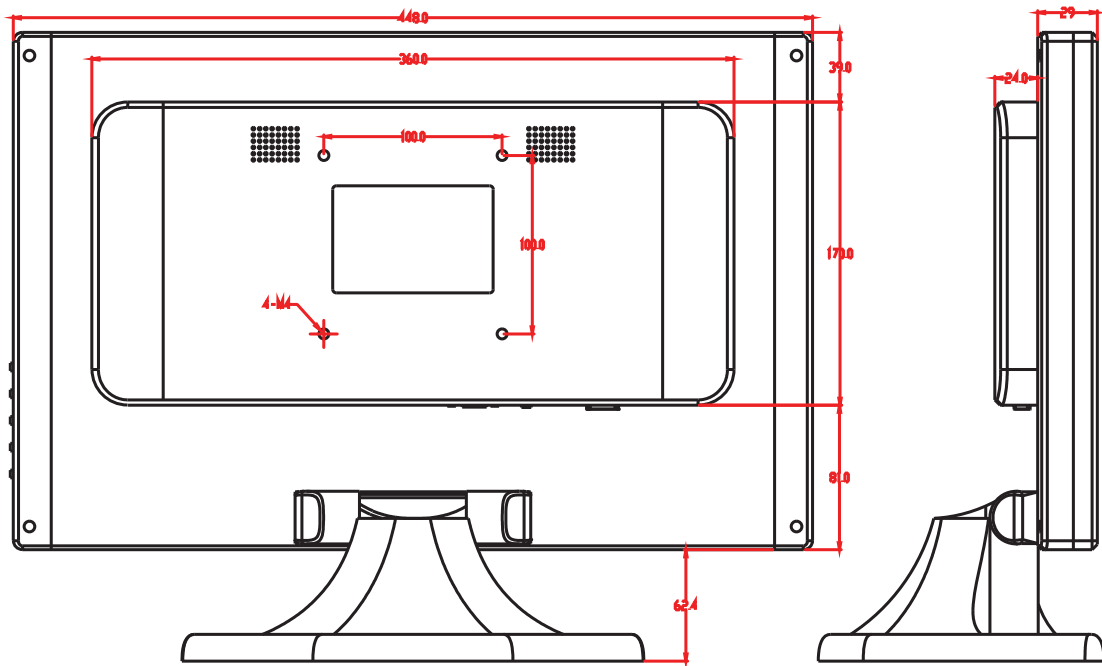
\* Only the latest version can be ordered, previous versions are only for historic reference.

### Version:

### Changes:

- v2** - Switching of the DVI-D connector to a DP connector  
Removal of the Serial (touch) port  
(v2 drawing on previous page)
- v1** - First version

v1 drawing:



## Corporate Headquarters

**faytech AG**

Bischhäuser Aue 10  
37213 Witzenhausen  
Germany

[support@faytech.com](mailto:support@faytech.com)  
[contact@faytech.com](mailto:contact@faytech.com)  
[www.faytech.com](http://www.faytech.com)

**Germany:** +49 5542 30374 0

**China:** +86 755 89580612

**USA:** +1 646 843 0877

**India:** +91 11 49707436

**Japan:** +81 366 722 920

**Korea:** +82 10 3479 1815