

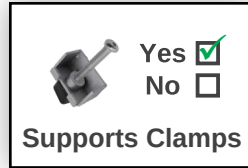
15" Capacitive Touch PC i5-7300U

FT15I5CAPOB



- Intel® Core™ i5-7300U CPU
- 8GB RAM memory, 128GB Industrial SSD
- Supports Windows 10 & Linux (32Bit, 64Bit)
- Anti-glare surface treatment (chemical etching)
- 10-Finger-Multi Touch Capacitive Touch Panel
- 1.1mm cover glass with 7H surface hardness
- Optically bonded Touch Panel to LCD Panel
- Patented IP65 front with silicon seal
- Integrated W-LAN
- 2 year guarantee (24/7 usage)

• *Optional: i3-7100U / i7-7600U Core CPU*



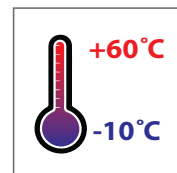
faytech's Capacitive PC series stands out among competition with its fanless silent operation, IP65 front panel design, high reliability and fine craftwork.

This device is made for 24/7 operation and is the perfect choice for industrial and business applications. It has flat edge to edge glass with IP65 water- and dust proof front panels and a sturdy aluminum case with stable VESA 100 fixation bolts.

The PC is powered by the high-end Kaby Lake U industrial mainboard. It has an Intel® Core™ i5-7300U processor with 2.60 GHz, 8GB RAM, a 128GB SSD and Intel®'s HD graphics Chipset.

These faytech PCs are the perfect choice for a wide variety of applications including POS systems, control panels in industrial fields, in kiosk systems, office/residence automation, digital signage and in areas like shopping malls, classrooms, hotels and many more.

Legend / Notes	
Applicable to version 2	(v2)
Applicable to version 3	(v3)
Applicable to version 4	(v4)
Applicable to all Versions	None



Product name				15" Capacitive Touch PC i5-7300U			
Model number / EAN number				FT15I5CAPOB / 6920734000128			
Global Article Code	European Article Code	Release date (DIM/Y)	Version*	Global Article Code	European Article Code	Release date (DIM/Y)	Version*
3030504194	1010501756	01/02/2020	v2				
3030504194	1010501936	10/01/2021	v3				
3030509534	1010502293	01/12/2021	v4				

IP Rating	
IP65 Front / IP40 Back	

LCD Panel	
Screen diagonal (Inch/cm)	15/38.10
Display active screen size (cm)	30.40×22.80
Aspect ratio	4:3
Physical resolution	1024×768
External Maximum showable resolution - HDMI, DP	1920×1200
Colours displayed	16.7M
Brightness (cd/m ²)	300
Contrast	700:1
Typical reaction time Tr / Tf (ms)	8/12
Visual Angle horizontal / vertical (°)	160/160
Backlight / Backlight Lifetime (hours)	LED / 30,000

Operation / Mechanical	
Operating Temperature (°C)	-10 ~ +60
Humidity Range (RH)	10% - 90%
Net weight (kg)	3.40
Gross weight (kg)	5.30 (incl. cartonage)
Housing material	Rubber front case, Aluminum IPC back case
Housing (mm) L × W × H	359.0 × 291.0 × 71.0
Cut-out for clamp supports (mm) L × H	335.0 × 274.0
Max. wall thickness for clamp supports (mm)	5.0
Amount of clamps required	6
Mounting	VESA 100

Internal Connectors (occupied)		
1x SO-DIMM, max. 16 GB, DDR4 1866/2133 non-ECC, Single channel memory		
3x RS232/RS485 COM connectors switchable in BIOS		
2x LCD Backlight control/LCD panel voltage box		
1x 5V/12V SATA power connector	1x 12V DC power connector (2-pin)	
1x 4-pin SATA power connector	1x S/PDIF output pin header	
1x 8-bit Digital I/O interface	1x Line-out / Mic-in header	
1x Front Panel box header	1x Serial ATA 6Gb/s	
1x MIPI CSI connector	1x LVDS box header	2x USB 3.0 box header

PC System	
CPU	Intel® Core™ i5-7300U Processor Kaby Lake
Graphic GPU	Intel® HD Graphics
Audio	Realtek ALC3251 Audio CODEC ^(v4)
Memory	8GB DDR4 non-ECC (max. 16GB)
Storage (switchable)	faytech Industrial 128GB SSD
Network	2x Realtek PCIe GB LAN 8111G (1000Mbps) M.2 E-key Wi-Fi module
Driver Support	Win10; Linux; 32Bit/64Bit
Preinstalled OS	Linux Ubuntu

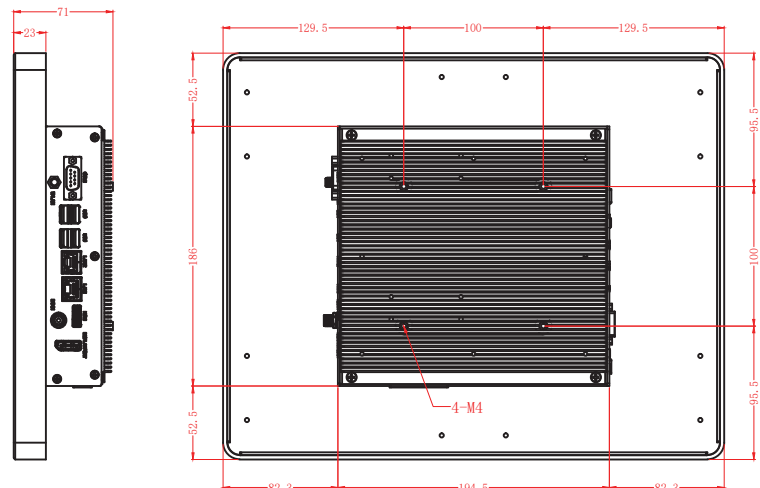
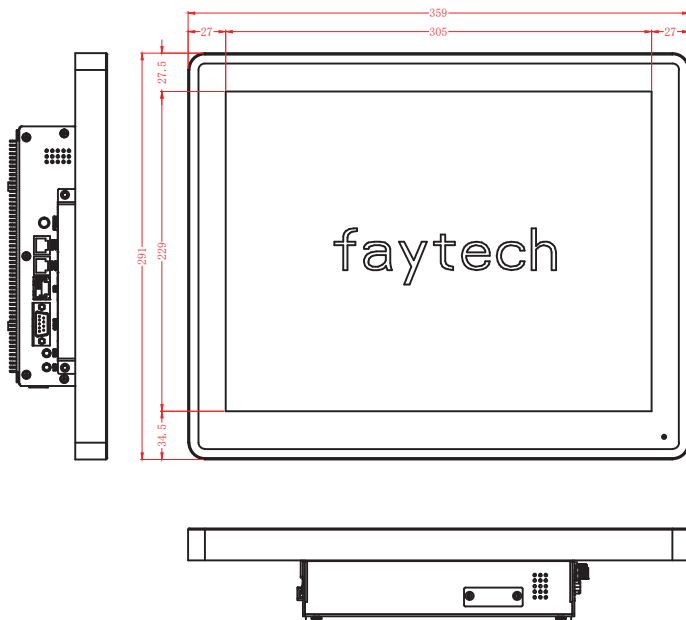
Touch Panel	
Touch Technology	Projected Capacitive 10-Point Multitouch
Touch Connector	USB
Touch Life (Contacts)	Unlimited
Surface Hardness	7H
Surface Treatment	Anti-glare (chemical etching)
Glass Strengthening	Chemically Strengthened

Power	
Power Indicator	Green LED
Power Supply	100-240V ACDC active switching; 12V DC-Out
Working Power (V)	12
Power Consumption (W)	30
Stand-By Consumption (W)	<1

External Connectors	
1x 12V DC-In (screwable)	
1x W-LAN antenna connector (RP-SMA male)	
4x USB 3.0	1x DP
1x HDMI	1x MIC-In & EAR-Out
1x 10-PIN DIO as RJ50	
1x COM – RS 232/422/485 switchable; 5V/12V/RI option (COM1, DSUB9)	
1x COM – RS 232; RX/TX (COM2, DSUB9)	
2x COM – RS 232 & 485; RX/TX & A+/B- (COM3&4, RJ12)	
2x 10/100/1000Mbit RJ45 Ports	
1x 2.5" module slot, changeable SSD included	

Expansion Slots	
1x mSATA full size (occupied by SSD)	
1x M.2 E-Key Slot (occupied by Wifi card)	
1x SATA connector	
1x External PCIe x1 Straddle connector	

Included in the Delivery	
Power Supply (see Power section)	
W-LAN antenna (RP-SMA female)	
Short Installation Manual	
Standard Stand	



Tolerance: ± 1mm

Update Notes:

* Only the latest version can be ordered, previous versions are only for historic reference.

Version:

Changes:

- v4** - Update of the audio chip from ALC3236 to ALC3251
- v3** - Update of internal wiring and components
- v2** - First version
(*v2, v3 & v4 drawing on previous page*)

Corporate Headquarters

faytech AG

Bischhäuser Aue 10
37213 Witzenhausen
Germany

support@faytech.com
contact@faytech.com
www.faytech.com

Germany: +49 5542 30374 0

China: +86 755 89580612

USA: +1 646 843 0877

India: +91 11 49707436

Japan: +81 366 722 920

Korea: +82 10 3479 1815