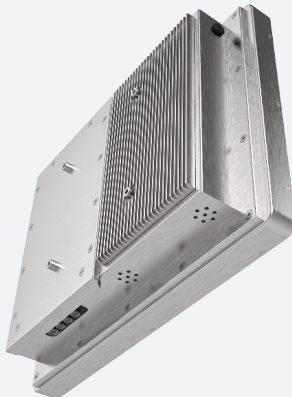


FT101X6211EIP65CAPHBOB

v1: GL: 3030515618 | EU: 4010077766



Pictures show sample configurations, real product may vary.

## DISPLAY

Display Size [inch]	10.1
Aspect Ratio	16 : 10
Resolution	1280 × 800
Active Area [mm]	216.96 × 135.60
Brightness [cd/m²]	1000+
Contrast Ratio	1000 : 1
LED life time [h]	100,000
Viewing Angle [°]	170 / 170
Display Interface	LVDS

## TOUCH PANEL

Touch Type	Projected Capacitive 10-point Multi-touch
Printing Type	Ceramic
Glass Thickness [mm]	2.0
Cover Glass Surface Treatment	AG (chemical etching)
IK Protection	IK08
Printing Color	RAL9004 (Black)
Strengthening	Thermally Strengthened
Touch Controller	EXC81W60
Touch Interface	USB
Touch Resolution RX	39
Touch Resolution TX	24
Optical Bonding	Clear Bond®

## PC/MONITOR SYSTEM

Processor	Intel Atom® x6211E (Elkhart Lake)
Standard Operating System	Debian 12 <sup>1</sup>
OS Available on Request (additional fee)	Linux Ubuntu 22.4, Windows 10 & 11
RAM Size	8 GB DDR4
SSD Size	120 GB
Loudspeaker	2× 2W
Wifi	Intel® AC 3168
Ambient Light Sensor	1
HDMI	1
DP	1
Audio In / Out	1 (Realtek® ALC897 Audio CODEC)
USB 2.0	2
USB 3.2	2
Ethernet Network (10/100/1000 Mbit/s)	2 Realtek® 8111H (LAN 1 PoE option, LAN 2) <sup>2</sup>
Serial Port RS232 (RX / TX only)	2
SD Card Slot	1
SIM Card Slot <sup>3</sup>	1

## ENVIRONMENTAL CONDITIONS

Operation Temperature	-10°C to 60°C
Storage Temperature	-20°C to 70°C
Humidity Range	10% to 90%

## CERTIFICATIONS

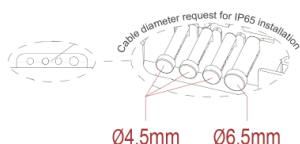
CE Certificate	Yes
FCC Certificate	Yes

## CHASSIS

Case Design	SS-IP65
IP Protection	Full IP65
Case Color	Silver
Case Finish	Brushed
Case Material	Stainless Steel
Case size L × W × H [mm]	272.8 × 214.4 × 62.7
Mounting	VESA 100 × 100

## IP65 SEALING

Above connectors are sealed behind the back protection plate, with unique IP65 sealing for standard cables.



<sup>1</sup> Pyramid Computer GmbH is not affiliated with Debian. Debian is a registered trademark owned by Software in the Public Interest, Inc.

<sup>2</sup> To enable Power over Ethernet (PoE), the PoE Module accessory is required.

<sup>3</sup> Requires additional LTE module and antenna before being able to use this slot

## ACCESSORIES

Power Adapter	100-240V ACDC active switching; 12V DC-Out
Wifi Antenna	RP-SMA female
Short Instruction Manual	Yes
Power over Ethernet (PoE)	No, available upon request

## POWER

Power Indicator	Green LED
Working Power	9-36V
Power Consumption	27W
Stand-By Consumption	<1.2W

## INTENDED USE/APPLICATION

The device is to be used as (touchscreen) display for outdoor or indoor use as control panel, digital signage, way-finding, POS and similar applications.

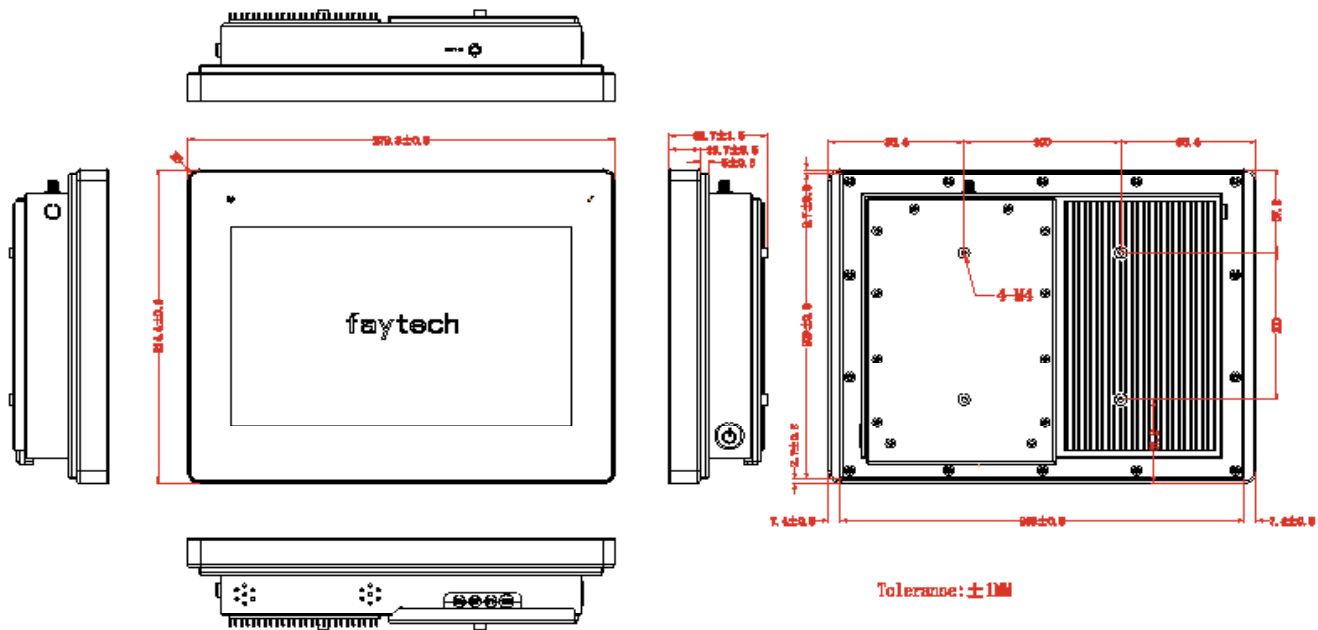
The device has a wide temperature range and is suitable for outdoor use, even in environments with direct sunlight (1090 W/m<sup>2</sup> Sunlight radiation), or frequent rain showers.

## WEIGHT & PACKAGING

Net Weight	~3.10 kg est.
Gross Weight	~4.20 kg est. (incl. Cartonage)
Packaging Material	100% recyclable cardboard and polyethylene (PE)
Packaging Size L × W × H [mm]	433.0 × 290.0 × 80.0

## DIMENSIONS

### 10.1" IP65 CAPACITIVE TOUCH PC X6211E



## UPDATE NOTES:

Version:	Changes:
v1	First version

